

HARBOUR SERIES DOOR STYLES

Belleair

Full overlay MDF door with 2-1/4" stiles and rails, and a 3/4" step. The center panel is MDF.



Belleair White

Desoto

Full overlay MDF or Birch door with 2-7/8" stiles and rails. The reversed raised center panel is MDF.

*Desoto Espresso is solid wood with MDF center panel



Desoto Espresso



Desoto Grey



Desoto White

Havana

Full overlay birch applied moulding door with 2-1/4" stiles and rails. The raised center panel is solid wood.



Havana Cafe

Pasadena

Full overlay MDF applied moulding door with 2-5/8" stiles and rails. The applied moulding is solid wood.



Pasadena Linen

STANDARD PRODUCT

MATERIALS AND CONSTRUCTION

Case

- Traditional face frame construction using select birch.
- Face frames are solid 3/4" thick with 1-1/2" stiles and rails. Mortise and tenon joints.
- Sides are birch veneered 1/2" plywood. The interior features a clear-coat finish.
- Shelves are 5/8" thick birch veneered plywood sealed with a clear-coat, adjustable and front edge banded.
- Backs are solid 1/2" plywood. Base cabinet backs extend to the floor, providing optimal structural stability.

Drawers

- 5/8" thick solid hard wood, dovetailed joints and clear-coated.
- Bottoms are 5/16" birch plywood fully captured.
- Slides are under mounted full-extension soft close.
- Drawer fronts are full overlay 5 piece construction.

Hinges

- Hinges are 6-way adjustable. Soft closing hinges standard on select styles.

Doors

- Mortise and Tenon full overlay.

Reveals

- Wall cabinet doors have a 1/4" reveal on the bottom and sides. The top reveal is 1" for moulding installation.
- Base cabinet doors have a 1/4" reveal. The top drawer head has a 1/4" reveal at the bottom and sides and a 1" reveal on top.

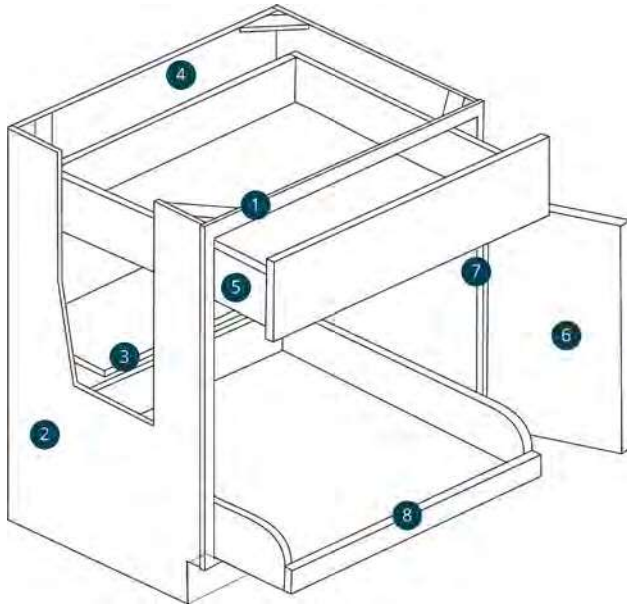
Finish

- Catalyzed conversion varnish top coat with UV protection is applied to doors, drawers and face frames.
- Glazing is applied to select doors and drawer fronts.
-

Species

- Birch

PRODUCT SPECIFICATIONS/NOTES



- 1 Traditional face frame construction using select birch. Face frames are solid 3/4" thick with 1-1/2" stiles and rails. Mortise and tenon joints.
- 2 Sides are birch veneered 1/2" plywood. The interior features a clear coat finish.
*Color matched finished interiors are available in painted finishes for an additional charge.
- 3 Shelves are 5/8" thick birch veneered plywood sealed with a clear-coat finish, adjustable and front edge banded.
- 4 Backs are solid 1/2" thick plywood.
- 5 Drawers are 5/8" thick solid hard wood, dovetail joints and clear coated. Bottoms are 3/8" birch plywood fully captured. Slides are under mounted, full extension and soft closing.

- 6 Doors are full overlay. Butt doors on all sizes up to 39" wide.
- 7 Hinges are 6-way adjustable. Soft closing hinges are standard on select styles.
- 8 Optional roll trays (ROT) are available for certain base and pantry cabinets as an upgrade. The optional roll trays are adjustable, all wood, two point dovetail and soft closing.

DOOR REVEALS

Door reveals are 1" at the top of all cabinets and 1/4" on remaining sides. The 1" reveal at the top of wall cabinets allow for moulding application.

DOOR CLEARANCE

Door and drawer clearance must be taken into consideration during the design process to assure proper operation of all doors, drawers and roll trays.

VANITY CABINETS

All vanity cabinets are 34 1/2" tall and 21" deep.

TOE KICK MATERIAL

All base, vanity and tall cabinets require toe kick material. This item (TKS8) needs to be ordered in addition to the cabinetry.

In keeping with a policy of continuous refinement, HDI Cabinetry reserves the right to alter specifications without general notice or obligation to make similar changes in previously produced product.